

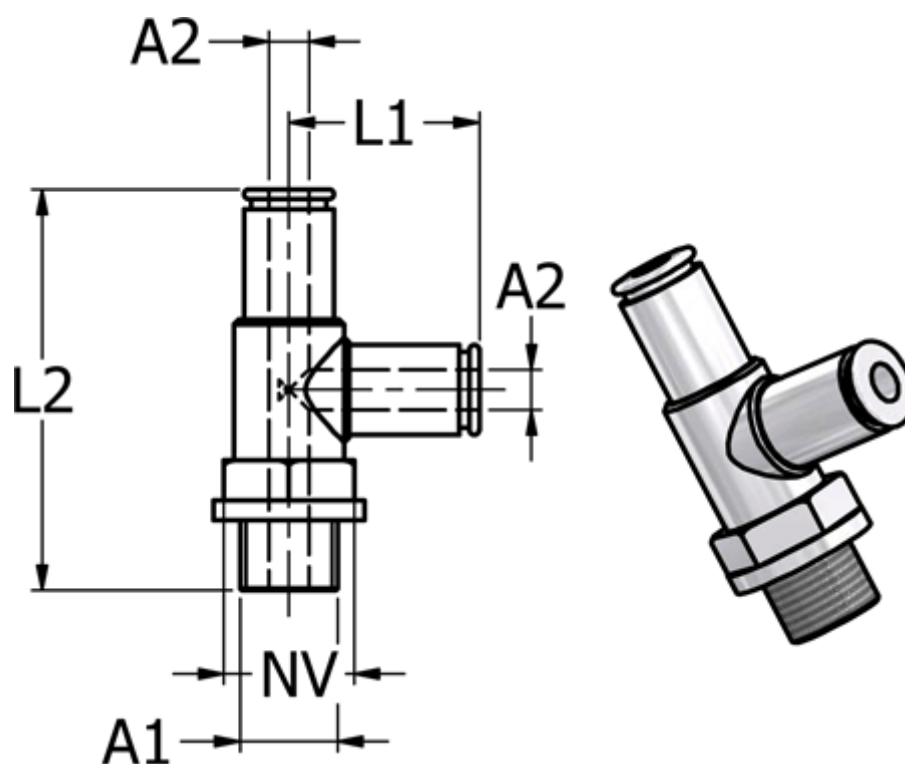
Data Sheet



Article number: 5868620146

Description: Metal Push-in fitting 862.014-6, Ø6 / Ø6 / G 1/4"
Tee with FPM O-ring

Measures



Ext. hose diameter A2	= 6
L1	= 21
L2	= 45
NV	= 13
Thread A1	= G 1/4"